

**SPECIFIC REGULATIONS  
2016-2017 BASKETBALL  
PROVINCIAL CHAMPIONSHIP**

**Note: In the event of any discrepancy between the French and English versions of these regulations, the French version shall prevail.**

Article 1	Age Categories .....	2
Article 2	Composition of the Delegation .....	2
Article 3	Playing Format.....	2
Article 4	Seeding of Teams.....	4
Article 5	Duration of Games .....	4
Article 6	Recommended Basketball.....	5
Article 7	Uniforms.....	5
Article 8	Awards.....	5
Article 9	Official Regulations in Use.....	6
Article 10	Participation Rules for the BANTAM CATEGORY.....	6
Appendix – Coaching certification: extract from the 2013-2018 FBBQ-RSEQ		
	Memorandum of Understanding .....	7

## 2016-2017 BASKETBALL

### **Article 1      Age Categories**

\*1.1

Category	Age in the 2016-2017 season
----------	-----------------------------

<b>Sec. 1 - 2</b>	<b>Bantam</b>	<b>From October 1, 2002 to September 30, 2004</b>
<b>Sec. 3</b>	<b>Midget</b>	<b>From October 1, 2001 to September 30, 2002</b>
<b>Sec. 4 – 5</b>	<b>Juvenile</b>	<b>From July 1, 1998 to September 30, 2001</b>

### **Article 2      Composition of the Delegation**

2.1            Team personnel:

Player:	15 (maximum per team)
Coach*/chaperone:	maximum of 6 coaches/chaperones per team and maximum of 3 <b>persons</b> on the players' bench

\*            N.B.: Agreements with respect to coach certification in the Memorandum of Understanding entered into between the RSEQ and the FBBQ must be respected. **(See Appendix– Extract from the 2012-2018 BQ-RSEQ Memorandum of Understanding)**

\*2.2            Each team may field a maximum of fifteen (15) players (boys or girls). A minimum of nine (9) uniformed, active Bantam players and seven (7) Midget and Juvenile players is required to start playing in any of the championship matches, failing which the team forfeits its games by default.

2.3            Student athletes' eligibility in the provincial school championship

\*2.3.1 Players in a Division 1 provincial school league

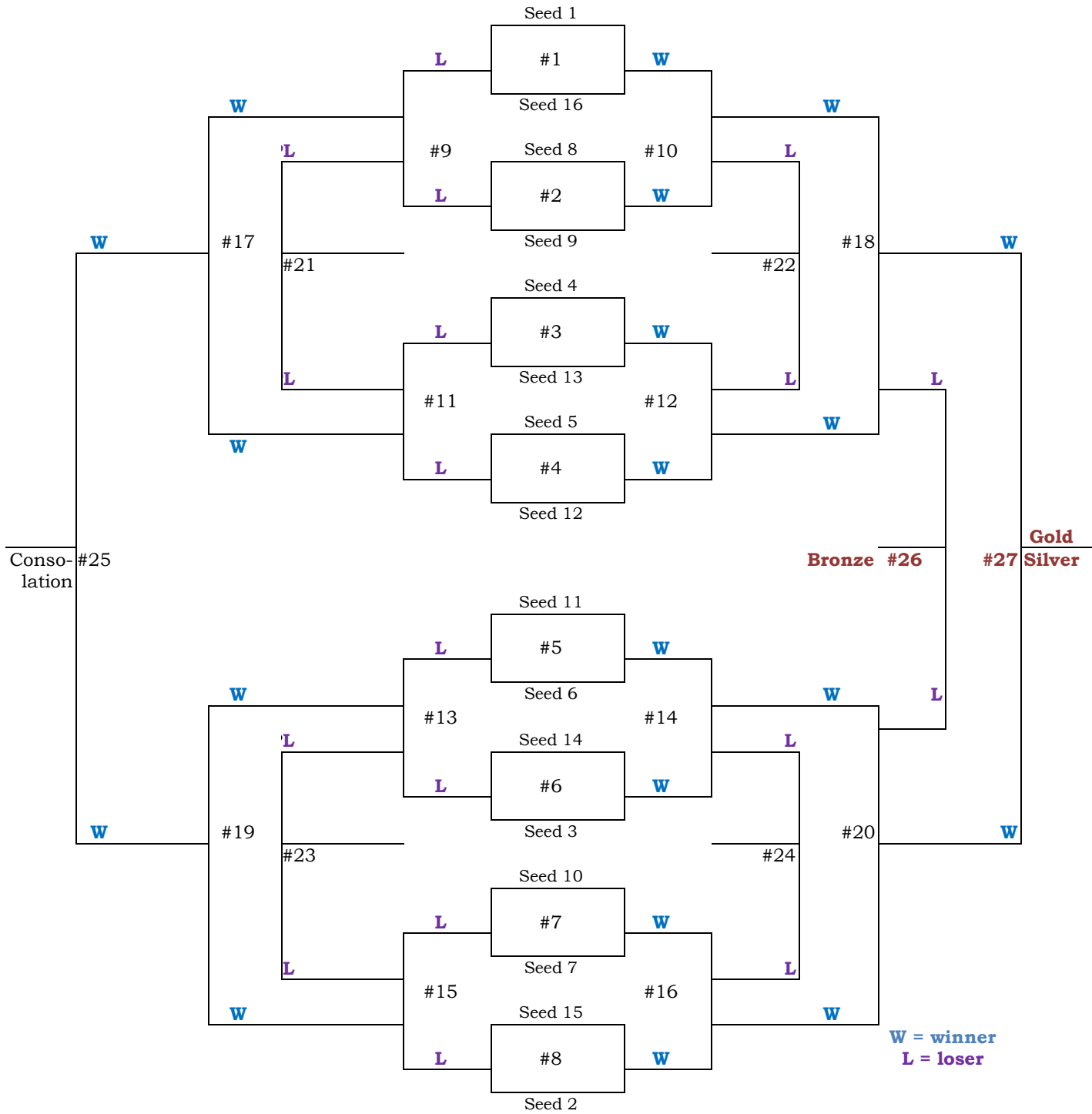
Once a student has participated four (4) times in a Division 1 provincial league, they will no longer be eligible to play in the provincial championship.

### **Article 3      Playing Format**

3.1            Single-elimination tournament with 16-team consolation round.

3.2            Game layout

Note: The official scheduled championship game numbers must correspond to the game layout in the present regulation.



### 3.3 Team rankings

# 1	Winner – game 27
# 2	Loser – game 27
# 3	Winner – game 26
# 4	Loser – game 26
# 5 - # 6	Ratio of points FOR/AGAINST of the winners of games 22 and 24
# 7 - # 8	Ratio of points FOR/AGAINST of the losers of games 22 and 24
# 9	Winner – game 25
# 10	Loser – game 25
# 11 - # 12	Ratio of points FOR/AGAINST of the losers of games 17 and 19
# 13 - # 14	Ratio of points FOR/AGAINST of the winners of games 21 and 23
# 15 - # 16	Ratio of points FOR/AGAINST of the losers of games 21 and 23

### 3.4 Number of games per team

Minimum:	3
Maximum:	4

Number of games in a category: 27

## **Article 4 Seeding of Teams**

\* The Provincial RSEQ will oversee seeding among the 16 teams.

Seeds will be assigned according to the following criteria, based on the previous year's results:

- Juvenile seeds: 2/3 of the juvenile ranking and 1/3 of the midget ranking
- Midget seeds: the previous year's championship bantam ranking
- Bantam seeds: the previous year's championship ranking

The RSEQ reserves the right to modify the seeding process so that teams from the same region do not end up in the same section at the outset of the championship.

N.B. In the event a tie exists in the combined ranking, priority will be given according to the category's ranking.

Before publishing any positions, seeding will be approved by the regional coordinators during a scheduled conference call in late February. In case of disagreement, the seeding determined by the criteria in the regulations shall prevail.

The RSEQ will provide the organizing committee and the regional RSEQ with the official layout by no later than 30 days before the championship.

## **Article 5 Duration of Games**

### 5.1 Regular game

The game consists of 4 x 8-minute timed segments for boys and girls.

A five-minute rest period is allowed between the 2<sup>nd</sup> and 3<sup>rd</sup> quarters. Between the other quarters, a one (1) minute break is given.

5.2 **Overtime**

Between regular time and overtime, there is a two (2) minute rest period.

Overtime lasts three (3) timed minutes, stop-time, with a two (2) minute rest period, if necessary, until a tiebreaker has been reached.

5.3 **Time limits**

A fifteen (15) minute delay after the game's scheduled starting time is given to a team to appear in uniform and ready for play on the court. After this period, the absent team forfeits, with no possibility of an appeal.

5.4 **Warm-up**

Players will be entitled to a ten (10) minute warm-up before each game.

**Article 6** **Recommended Basketball**

6.1 Size 6 BADEN balls for the following categories:

Bantam boys  
Bantam girls  
Midget girls  
Juvenile girls

Size 7 BADEN balls for the following categories:

Midget boys  
Juvenile boys

6.2 Only basketballs supplied by the organizing committee may be used during the games. Basketballs belonging to one team or the other are not accepted for this purpose.

**Article 7** **Uniforms**

7.1 Each team must provide two (2) sets of jerseys, one dark and one light coloured set.

7.2 A matching T-shirt and shorts are considered appropriate attire.

7.3 If two (2) teams arrive on the court wearing jerseys that might cause confusion, one team will be picked at random for a uniform change.

**Article 8** **Awards**

8.1 A championship banner is awarded to the team that is declared winner of the championship, in the following categories:

- Bantam girls
- Bantam boys

- Midget girls
- Midget boys
- Juvenile girls
- Juvenile boys

8.2 Medals are awarded to each of the team members ranked, respectively, as follows:

- First : Gold medal
- Second : Silver medal
- Third : Bronze medal

**Article 9 Official Regulations in Use**

9.1 The official basketball regulations used are issued by “FIBA” and include Basketball Québec’s amendments.

9.2 Nevertheless, the RSEQ Sport-Specific Regulations take precedence over the Official Regulations.

9.3 Provincial RSEQ High School Governing Rules must be respected.

**Article 10 Participation Rules for the BANTAM CATEGORY**

The participation rule for the Bantam category will be the Basketball Quebec participation rule in force, with the exception of:

10.1 **Number of registered players**

The maximum number of uniformed, active players registered on the score sheet and ready to play is fifteen (15) per team.

10.2 **Minimum participation**

The minimum participation rule applies to the minimum players required according to the regulation, namely 9 players.

**Appendix – Coaching certification: extract from the 2013-2018 FBBQ-RSEQ  
Memorandum of Understanding**

**9. COACH CERTIFICATION**

9.1 Certification

The following table sets out FBBQ Certification prerequisites for coaches who participate at each of the competition levels covered by the RSEQ.

<b>Competition level</b>	<b>Certification</b>
Elementary/Bantam/Midget	Introduction to Competition (Fundamentals of coaching)
Division 2 Juvenile	Introduction to Competition (Fundamentals of coaching)

9.2 Only the provincial league or any team that participates in Division 2 provincial school championships are required to comply with Articles 9.3, 9.4, 9.5 and 9.6.

9.3 Consequences of incomplete certification

A coach who lacks full certification and wishes to participate in a provincial championship must pay the RSEQ a fine equal to the cost of one or more training courses that will lead to completion of the incomplete certification(s) (the “**Indemnifying Fine**”). It is understood that the under-certified Coach who has paid the Indemnifying Fine may register, at no cost, within one (1) year after having paid the Indemnifying Fine, for one or more training courses to obtain the certification(s) that is/are lacking. The FBBQ will in turn bill the RSEQ for the applicable amount.

9.4 Notice

A notice indicating the name of the under-certified coach, his/her team and school, as well as the circumstances surrounding payment of the Indemnifying Fine will be sent by the RSEQ to: i) the FBBQ, and ii) the official of the school hosting the team of the under-certified coach.

9.5 Repeated infractions

It is understood that an under-certified coach who has paid an Indemnifying Fine during their career will not be allowed to participate in an end-of-season championship at any level for which they have not received the required certification, and may not benefit from the provisions of Article 9.3.

9.6 Exemption

Notwithstanding Articles 9.2 and 9.4, the RSEQ may, with the FBBQ’s consent and upon request made to the Parties, grant an exemption to the present Article 9 that shall continue for a maximum of twelve months (an “**Exemption**”). Without limiting the generality of the foregoing, it is understood that, in certain circumstances, an Exemption

may be given to a coach who was unable to receive training in their region or at their school.